

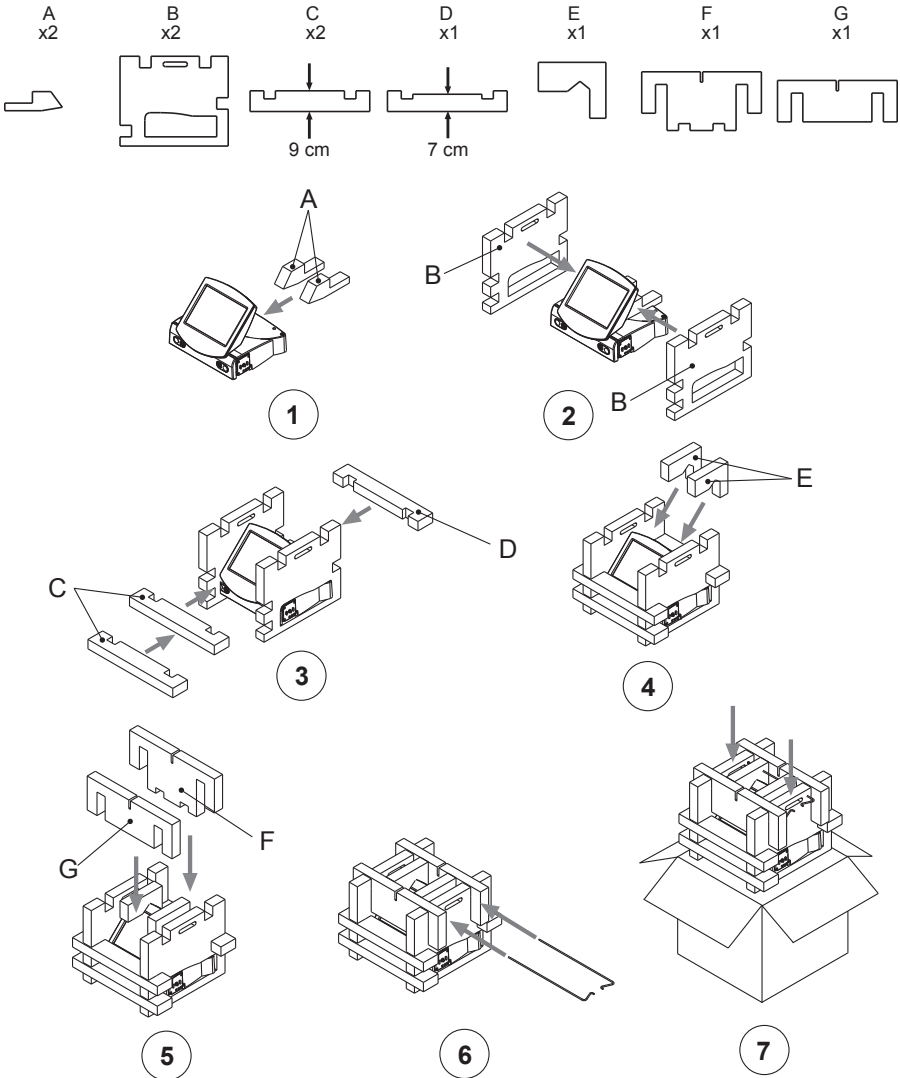
## 14 PACKING

To pack the device follow the steps indicated in Pic.27, after having removed the peristaltic pumps. The steps are also illustrated on the cardboard lid of the packing.

**⚠ WARNING:**

**When packing, place particular attention on parts C and D since these are similar but differ in size and position in the packing.**

EN



Pic.27